

Advanced Computer Systems Architecture

Chip-Multiprocessors: Applications and Architectures

CSE 561M

Prof. Patrick Crowley

Plan for Today

- Questions
- Today's discussion

Objective

- Introduce ONL NP router Plugin API
- Project Logistics

Project Proposal

Milestone 0 - Project Proposal

- Determine group members and name
- Propose project idea
 - Use sentences and paragraphs to describe and motivate your idea
 - Discuss the challenges and implementation questions you need to consider to finalize your design
- Break project into 6 milestones (see project logistics slide)
 - Use sentences and paragraphs to describe each milestone goal
 - Demonstrate a non-superficial understanding of the problem
- Try to limit your proposal to 2 or 3 pages
- Submit document to newsgroup, and bring hardcopy to class

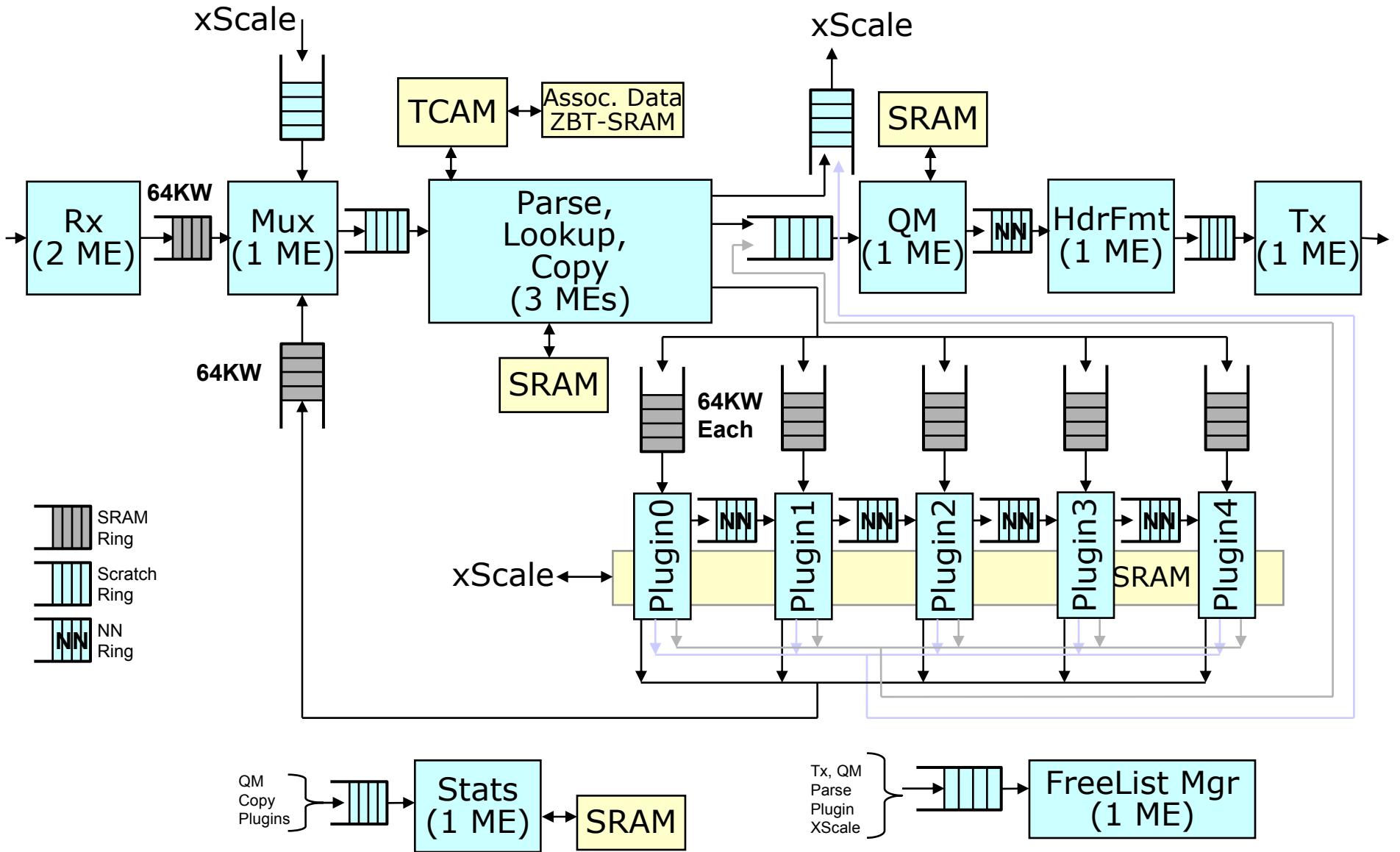
Project Logistics

- Groups of one or two
- We will plan to use NP routers in ONL
- Weekly Milestones
 - Milestone report due each week
 - Submit proposal Feb 26
 - Final presentation Apr 15

Project Milestones

| | | |
|----|--------|---------------------------------|
| M0 | Feb 26 | Project Proposal |
| M1 | Mar 4 | Design |
| M2 | Mar 18 | Implementation 1 |
| M3 | Mar 25 | Implementation 2 |
| M4 | Apr 1 | Implementation 3 |
| M5 | Apr 8 | Wrap-up, Prepare reports |
| M6 | Apr 15 | Presentations |

ONL NP Router



Potential Project Topics

- Networking
 - Traffic and flow monitor
 - Queue management
 - Protocol implementation
 - SIP, RSVP, Bittorrent
 - IP multicast
 - Packet content search or transformation
 - Extract info from image, video data
- Or other topics of interest to you
 - If you have a special interest, email me *ASAP*

Assignment

- Thursday
 - J&K: Skim Ch. 10, Ch. 11
- Tuesday
 - **Milestone 0 - Project Proposal Due**
 - Determine group members and name
 - Propose project idea
 - Use sentences and paragraphs to describe and motivate your idea
 - Discuss the challenges and implementation questions you need to consider to finalize your design
 - Break project into 6 milestones (see project logistics slide)
 - Use sentences and paragraphs to describe each milestone goal
 - Demonstrate a non-superficial understanding of the problem
 - Try to limit your proposal to 2 or 3 pages
 - Submit document to newsgroup, and bring hardcopy to class